

EASTLINK

CUSTOM HOSPITALITY FURNITURE

The background of the page is a soft-focus photograph of architectural blueprints and several rolled-up white documents. The blueprints are spread out on a surface, with various lines and text visible but out of focus. The rolled-up documents are positioned horizontally, with their circular ends facing the viewer. The overall color palette is light and professional, with a focus on white and light blue tones.

SHOP DRAWINGS & RENDER



Shop Drawings & Render

For decades we have been providing project managers and designers with shop and coordination drawings that are accurate and thoughtfully prepared.

This means you can expect accurate drawings provided by experts.

All work is fully checked for clashes.
All clashes resolved.

No charge for reasonable coordination changes.

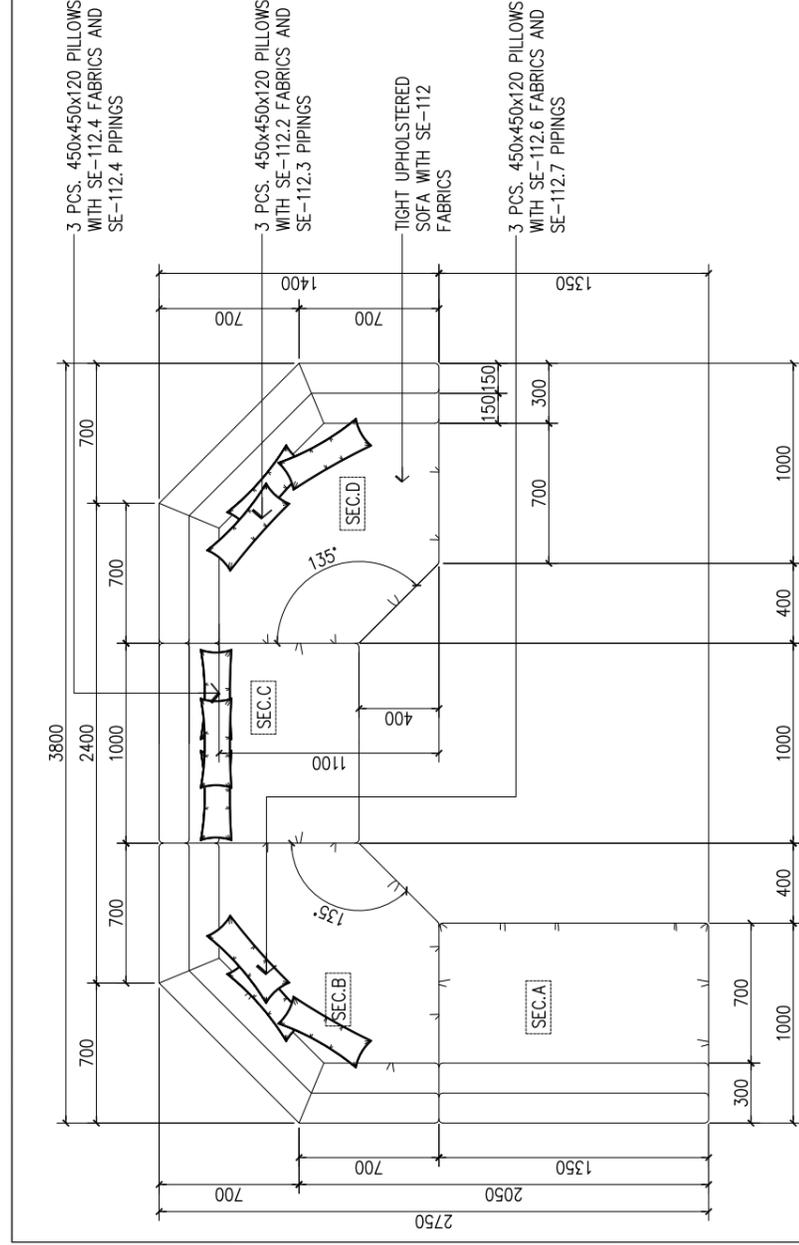
All materials, sections and fittings properly identified for ease of fabrication.

EASTLINK
CUSTOM HOSPITALITY FURNITURE

Shop Drawings & Render

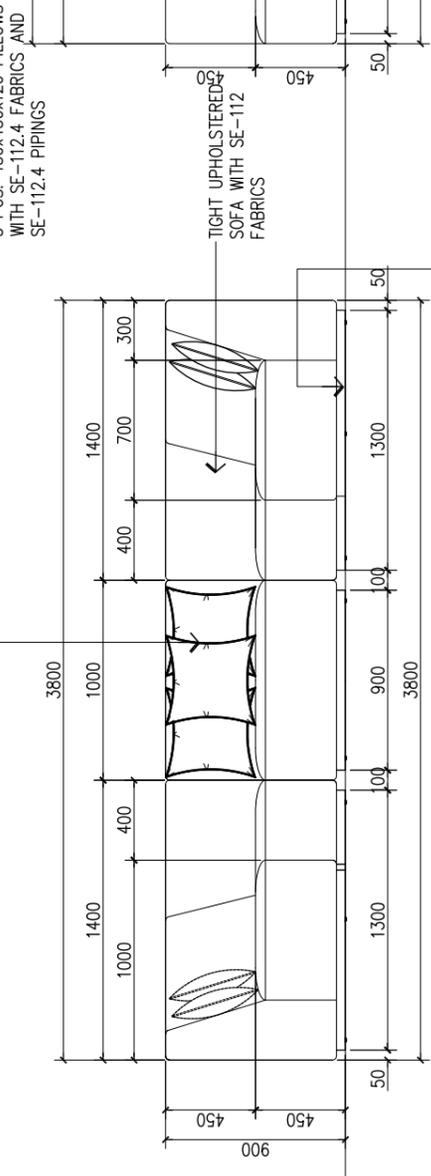


EASTLINK
CUSTOM HOSPITALITY FURNITURE



PROPOSED SOFA HINGE
METAL CONNECTOR

① DESIGN DRAWINGS @ TOP
Scale : 1:25



② DESIGN DRAWINGS @ FRONT
Scale : 1:25

EASTLINK CUSTOM HOSPITALITY FURNITURE	
East Link (Macau) Limited Avenida do Praia Grande, 21st fl., 409 Ohio Low Building, Macau	
PROJECT NAME:	
AREA CODE:	
PROJECT NUMBER:	
ITEM CODE:	
ITEM DESCRIPTION:	
SOFA @ MEDIA ROOM LEFT AND RIGHT	
QUANTITY:	tbd
FOR APPROVAL	<input checked="" type="checkbox"/>
FOR MOCK-UP	<input type="checkbox"/>
FOR PRODUCTION	<input type="checkbox"/>
AS BUILT DRAWING	<input type="checkbox"/>
EST. WEIGHT:	250kgs.
APPROVAL / REMARKS:	
DRAWING REV. NO.	ISSUED DATE
	1 August 2016
DRAWN BY:	CHECKED BY:
	Ray Ray
REV #	DESCRIPTION
DATE	
SHEET NUMBER:	1/3
DRAWING CODE:	

PROJECT NAME:	
AREA CODE:	
PROJECT NUMBER:	
ITEM CODE:	

ITEM DESCRIPTION:
**SOFA @ MEDIA ROOM
LEFT AND RIGHT**

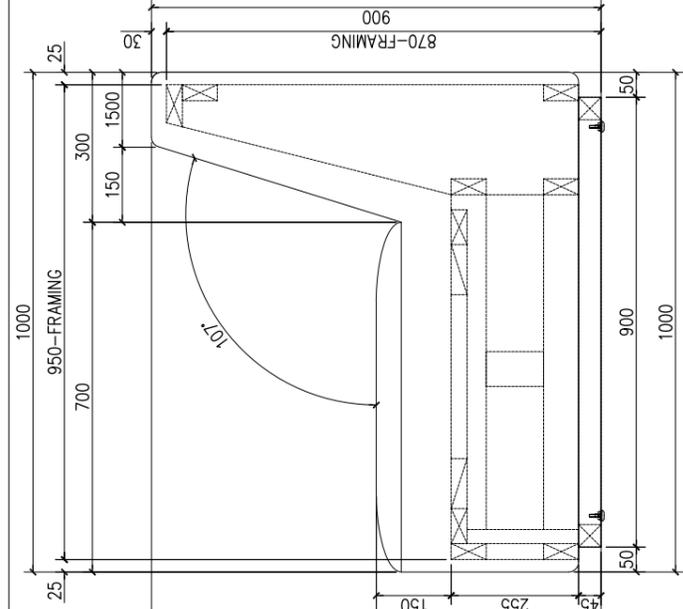
QUANTITY:
tbd

<input checked="" type="checkbox"/>	FOR APPROVAL
<input type="checkbox"/>	FOR MOCK-UP
<input type="checkbox"/>	FOR PRODUCTION
<input type="checkbox"/>	AS BUILT DRAWING

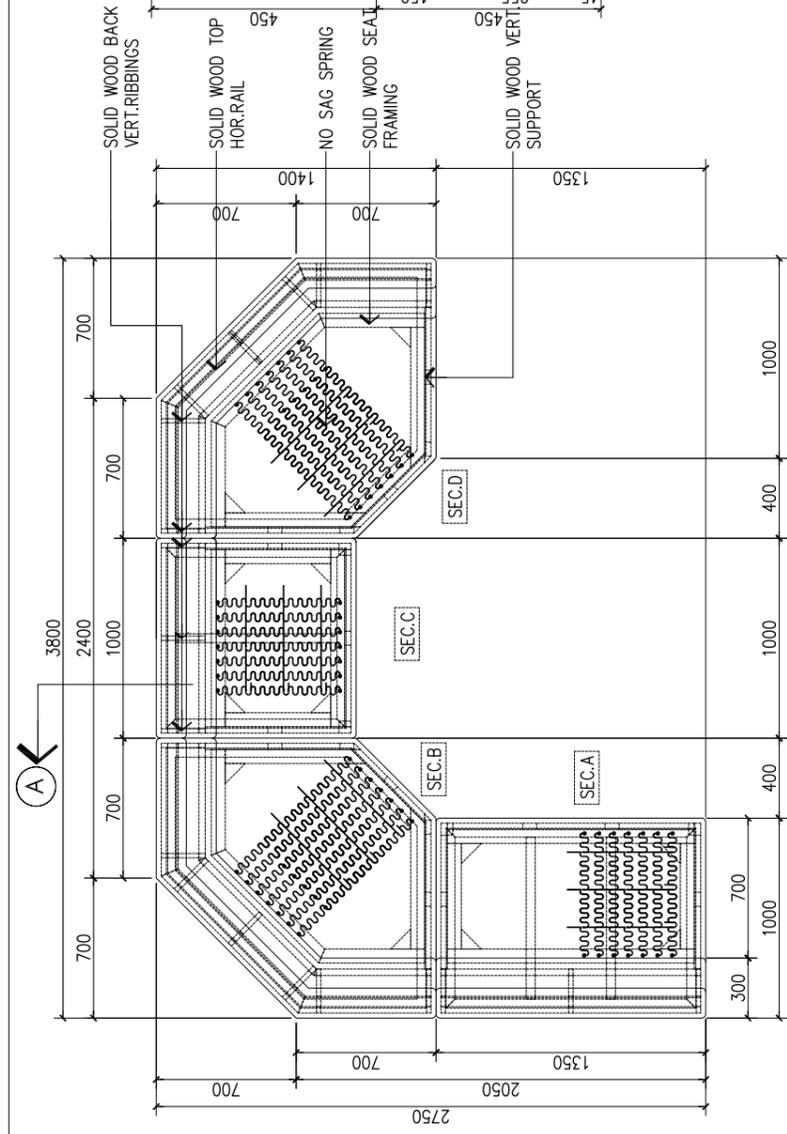
EST. WEIGHT : **250kgs.**

APPROVAL / REMARKS:

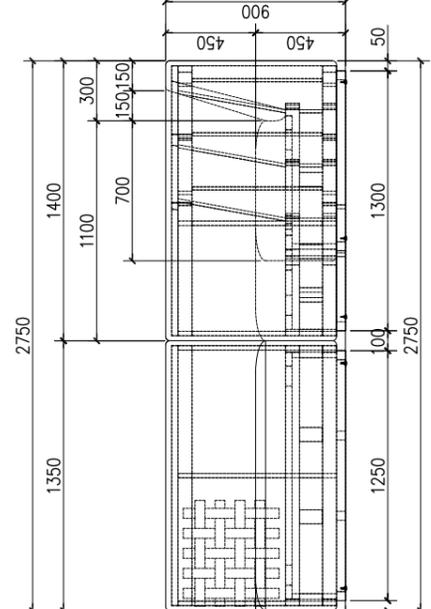
DRAWING REV. NO:	ISSUED DATE
1	1 August 2016
DRAWN BY:	CHECKED BY:
Ray	Ray
REV #	DESCRIPTION
1	
2	
3	
SHEET NUMBER:	2/3
DRAWING CODE:	



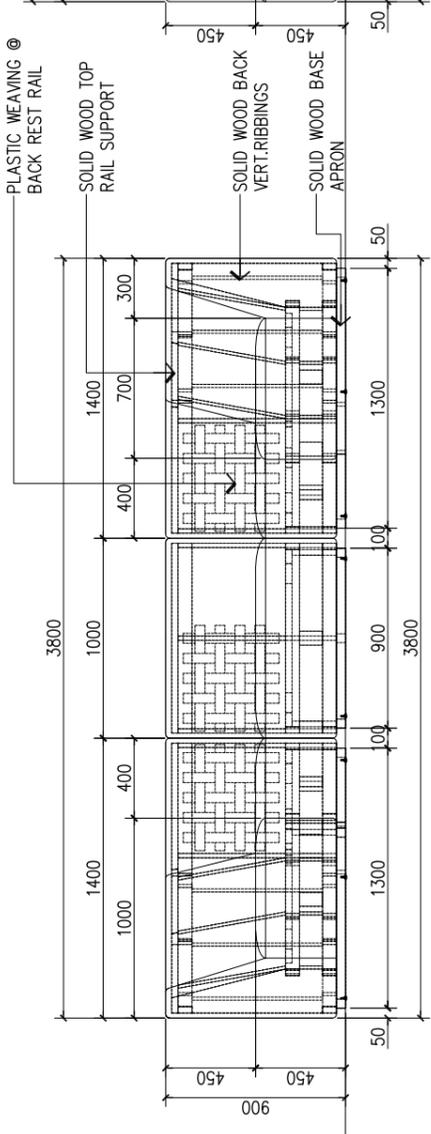
4 SECTION-A-DETAIL
Scale : 1:10



1 STRUCTURAL DRAWINGS @ TOP
Scale : 1:25



3 STRUCTURAL DRAWINGS @ SIDE
Scale : 1:25



2 STRUCTURAL DRAWINGS @ FRONT
Scale : 1:25

PROJECT NAME:	
AREA CODE:	
PROJECT NUMBER:	
ITEM CODE:	

ITEM DESCRIPTION:
**SOFA @ MEDIA ROOM
LEFT AND RIGHT**

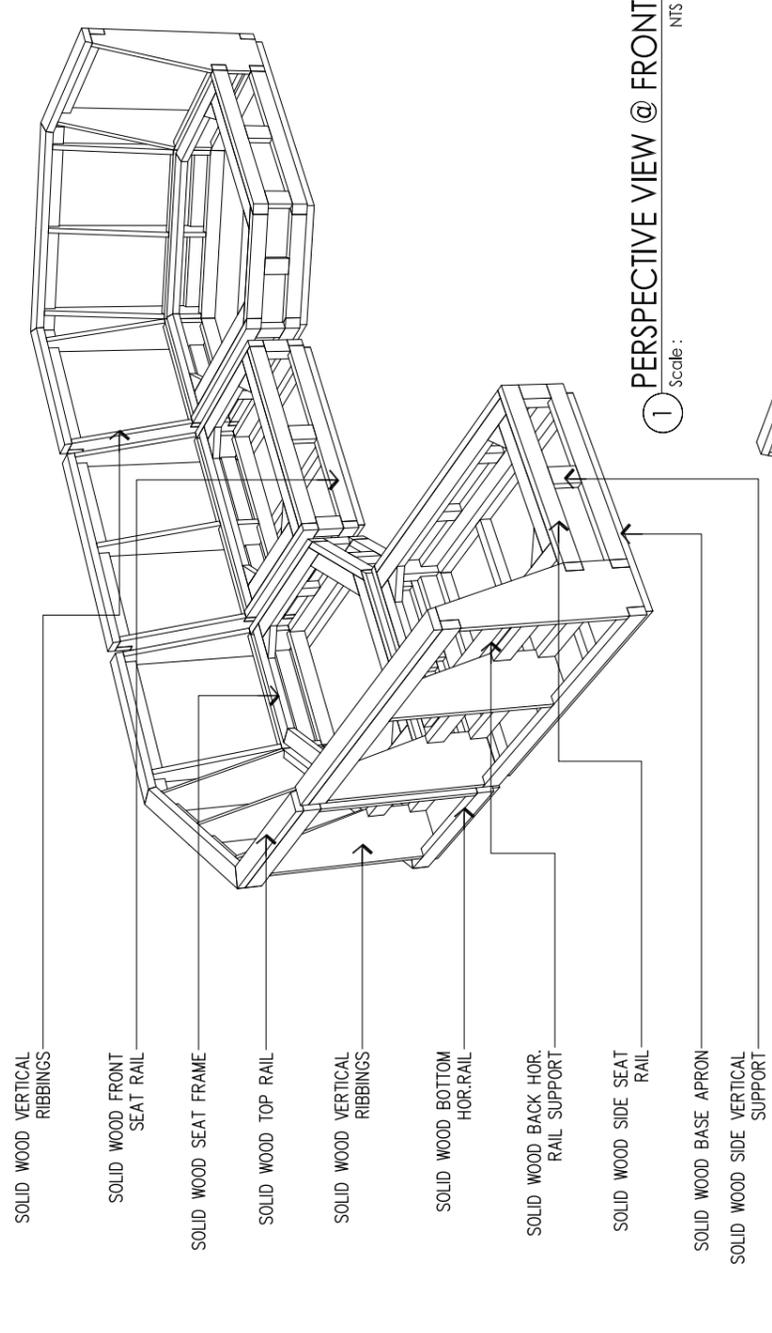
QUANTITY:
tbd

<input checked="" type="checkbox"/>	FOR APPROVAL
<input type="checkbox"/>	FOR MOCK-UP
<input type="checkbox"/>	FOR PRODUCTION
<input type="checkbox"/>	AS BUILT DRAWING

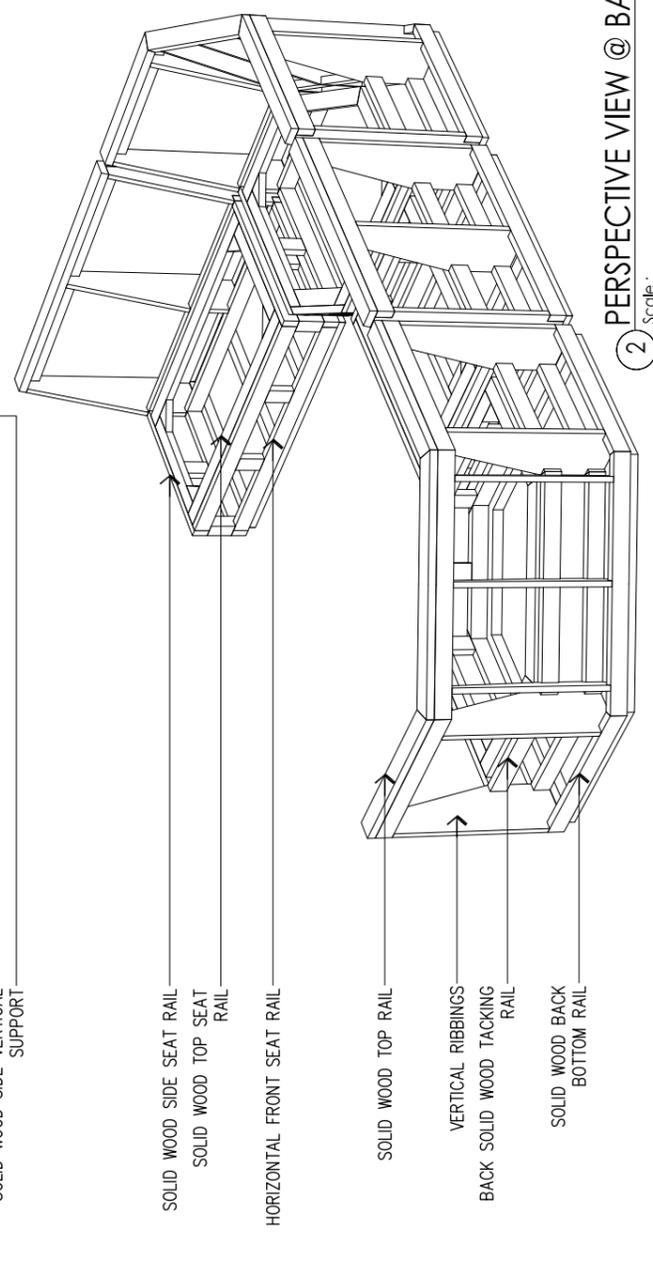
EST. WEIGHT : **250kgs.**

APPROVAL / REMARKS:

DRAWING REV. NO:	ISSUED DATE
1	1 August 2016
DRAWN BY:	CHECKED BY:
Ray	Ray
REV #	DESCRIPTION
1	
2	
3	
SHEET NUMBER:	3/3
DRAWING CODE:	



1 PERSPECTIVE VIEW @ FRONT
Scale : NTS

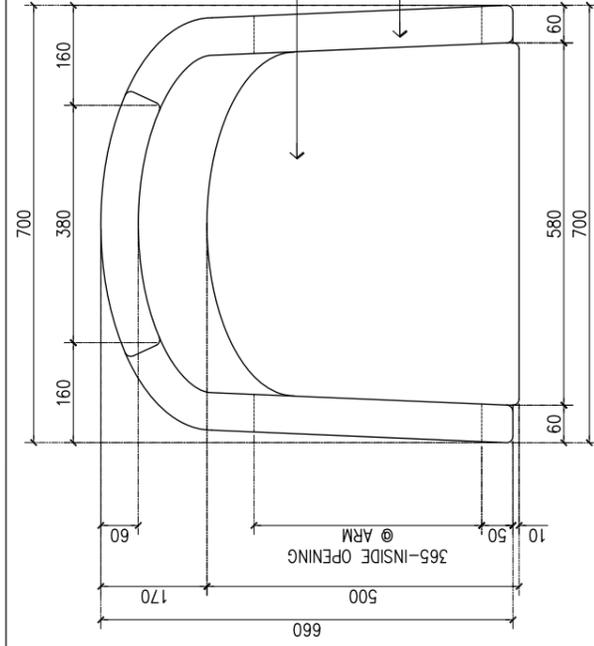


2 PERSPECTIVE VIEW @ BACK
Scale : NTS

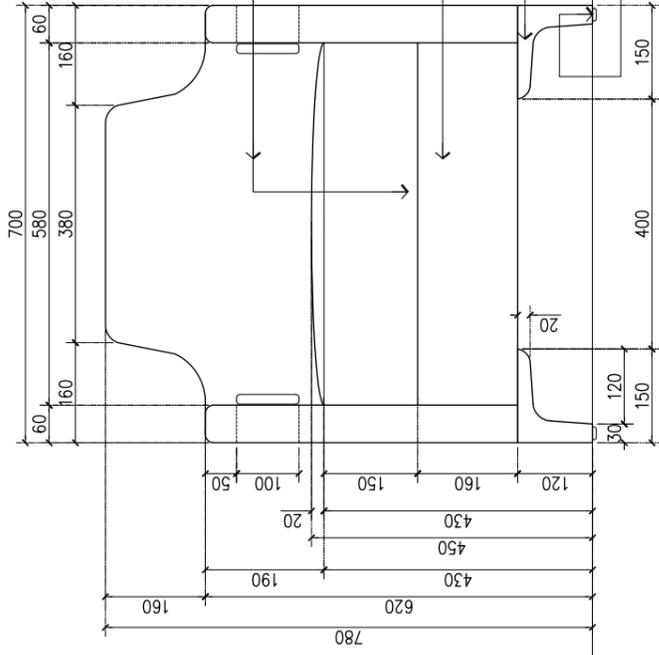
Shop Drawings & Render



EASTLINK
CUSTOM HOSPITALITY FURNITURE



1 DESIGN DWGS.@ TOP
SCALE: 1:8

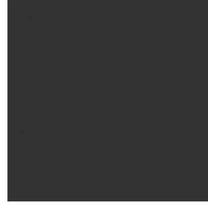


2 DESIGN DWGS.@ FRONT
SCALE: 1:8

CANNOT ALIGN THE BACK LEGS DUE TO THE SEAT RAIL IS CURVE WE NEED TO HAVE 45° LEGS POSITIONING



3 DESIGN DWGS.@ SIDE
SCALE: 1:8



EASTLINK CUSTOM HOSPITALITY FURNITURE		
East Link (Macau) Limited Avenida do Praia Grande, 21st fl., 409 Ohio Low Building, Macau		
PROJECT NAME:		
AREA CODE:		
AREA NAME:		
ITEM CODE:		
ITEM DESCRIPTION:	ARM CHAIR	
QUANTITY:	TBD	
FOR APPROVAL	<input checked="" type="checkbox"/>	
FOR MOCK-UP	<input type="checkbox"/>	
FOR PRODUCTION	<input type="checkbox"/>	
AS BUILT DRAWING	<input type="checkbox"/>	
EST. WEIGHT : 20 Kgs.		
APPROVAL / REMARKS:		
DRAWING REV. NO:	ISSUED DATE	
3	23 April 2016	
DRAWN BY:	CHECKED BY:	
	Ray	
REV #	DESCRIPTION	DATE
1	Rev#101 No.3	4.27.2016
2		
3		
SHEET NUMBER:	1/3	
DRAWING CODE:		

PROJECT NAME:	
AREA CODE:	
AREA NAME:	
ITEM CODE:	

ITEM DESCRIPTION:
ARM CHAIR

QUANTITY:
TBD

<input checked="" type="checkbox"/>	FOR APPROVAL
<input type="checkbox"/>	FOR MOCK-UP
<input type="checkbox"/>	FOR PRODUCTION
<input type="checkbox"/>	AS BUILT DRAWING

EST. WEIGHT : 20 Kgs.

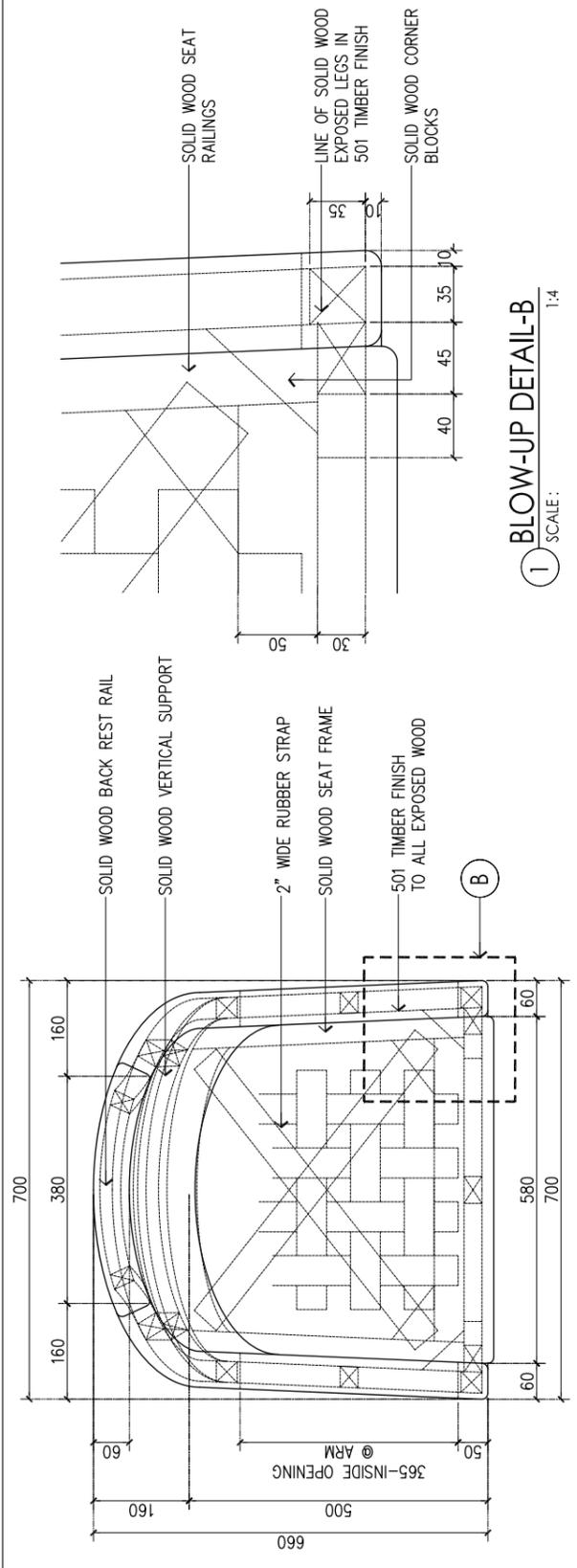
APPROVAL / REMARKS:

DRAWING REV. NO:	ISSUED DATE
3	23 April 2016

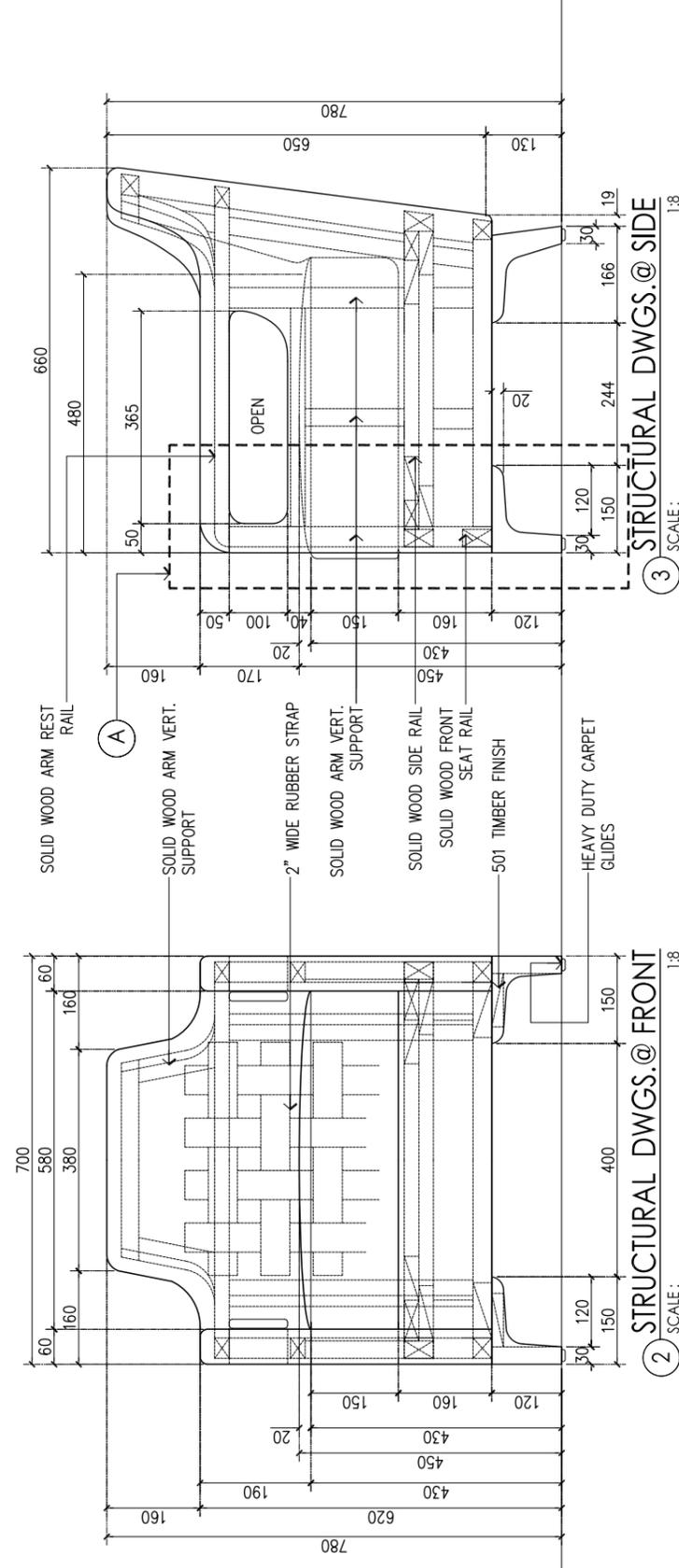
DRAWN BY:	CHECKED BY:
	<i>Ray</i>

REV #	DESCRIPTION	DATE
1	Rev#1/01 No.3	4.27.2016

SHEET NUMBER:	2/3
DRAWING CODE:	



1 STRUCTURAL DWGS.@ TOP
SCALE: 1:8



2 STRUCTURAL DWGS.@ FRONT
SCALE: 1:8

3 STRUCTURAL DWGS.@ SIDE
SCALE: 1:8

1 BLOW-UP DETAIL-B
SCALE: 1:4

PROJECT NAME:	
AREA CODE:	
AREA NAME:	
ITEM CODE:	

ITEM DESCRIPTION:
ARM CHAIR

QUANTITY:
TBD

<input checked="" type="checkbox"/>	FOR APPROVAL
<input type="checkbox"/>	FOR MOCK-UP
<input type="checkbox"/>	FOR PRODUCTION
<input type="checkbox"/>	AS BUILT DRAWING

EST. WEIGHT : 20 Kgs.

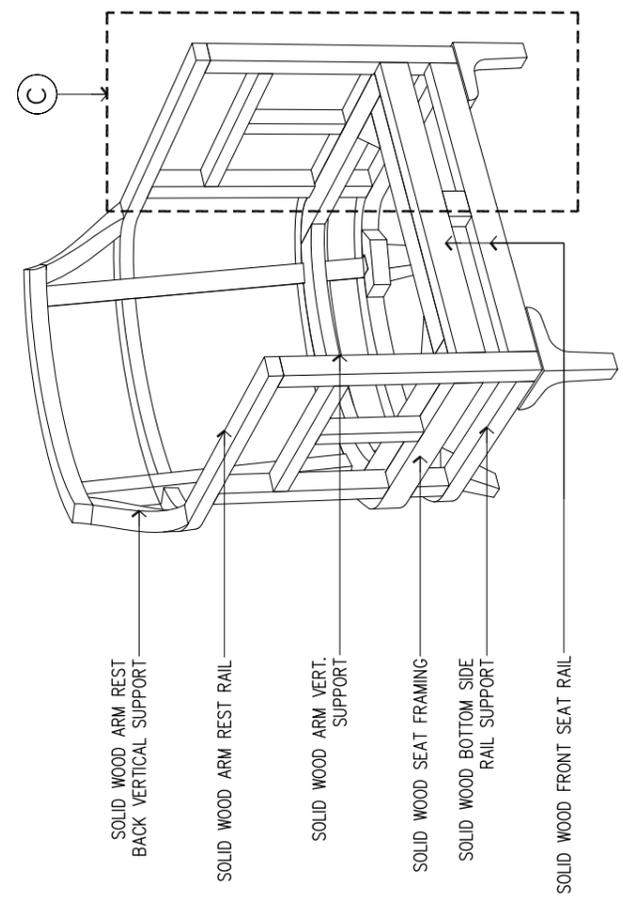
APPROVAL / REMARKS:

DRAWING REV. NO:	ISSUED DATE
3	23 April 2016

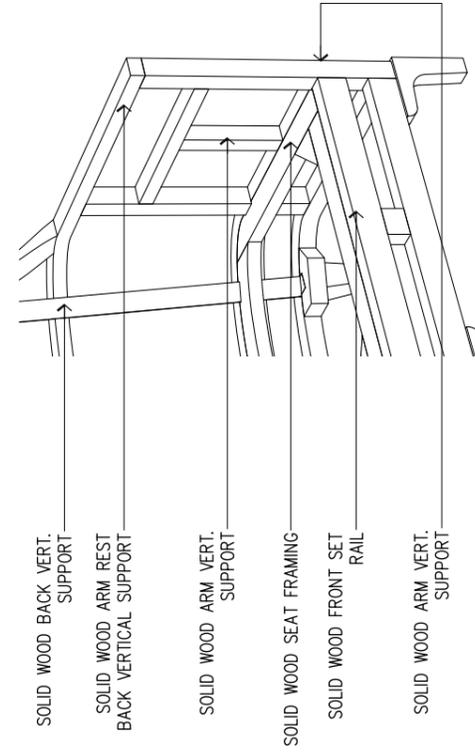
DRAWN BY:	CHECKED BY:
	<i>Ray</i>

REV #	DESCRIPTION	DATE
1	Rev#1/01 No.3	4.27.2016

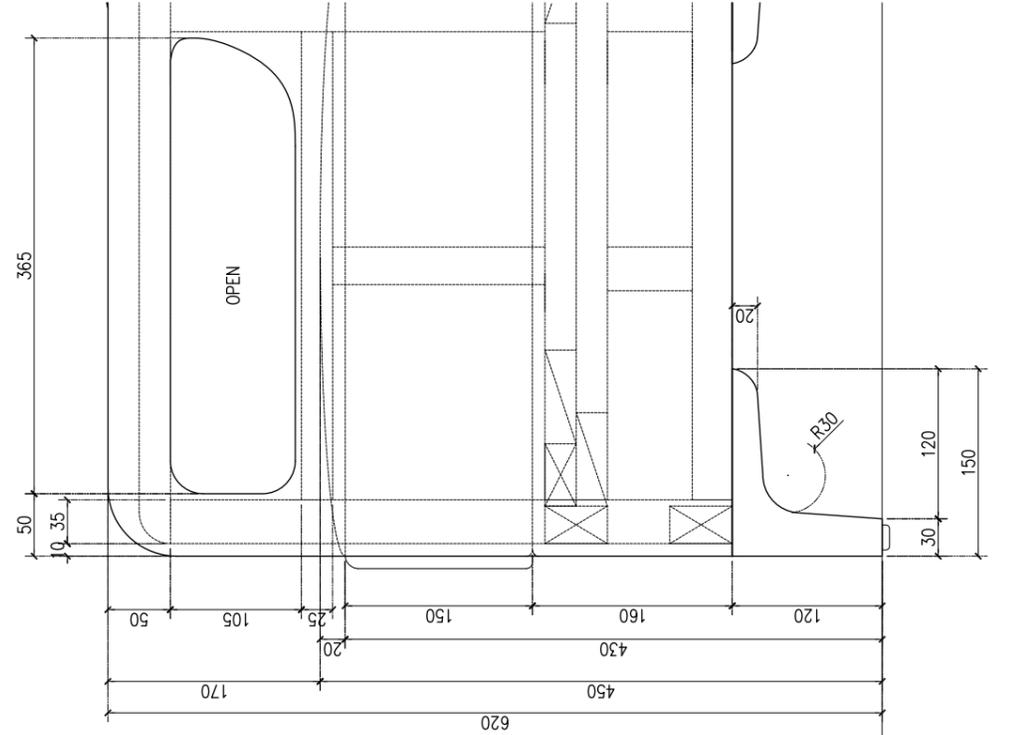
SHEET NUMBER:	3/3
DRAWING CODE:	



2 SHOWING STRUCTURAL DETAILS
SCALE: NTS



2 BLOW UP DETAIL C
SCALE: NTS

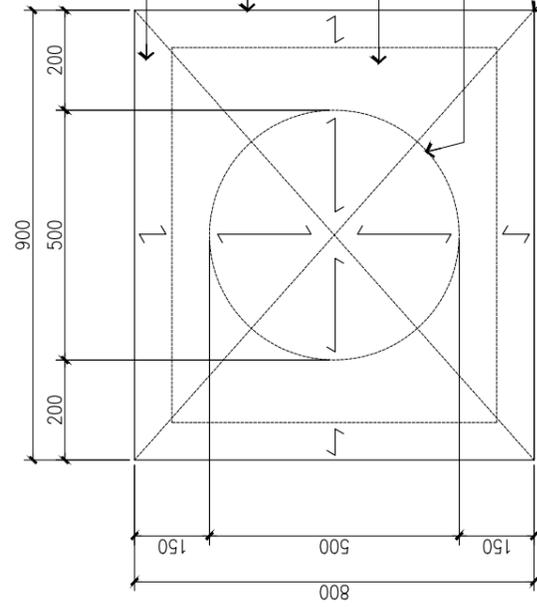


1 BLOW-UP DETAIL-A
SCALE: 1:4

Shop Drawings & Render



EASTLINK
CUSTOM HOSPITALITY FURNITURE

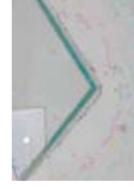


① DESIGN DWGS.@ TOP
Scale: 1:10

- WOOD VENEER IN QUARTER CUT MAPLE, MEDIUM DARK STAIN, 50% SHEEN PR-WDF-02
- SOLID WOOD EDGE IN MEDIUM DARK STAIN, 50% SHEEN PR-WDF-01
- 6MM LOW IRON POLISHED TEMPERED GLASS WITH SOFT BEVEL EDGE PR-GLF-01
- OUTLINE OF WOOD BASE LEG
- R3 EASED/ROUNDED CORNERS X 4



PHOTO REFERENCE ONLY



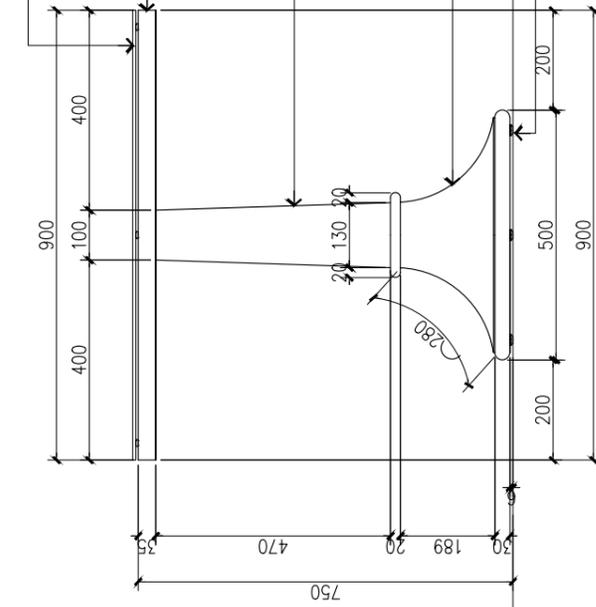
PR-GLF-01



PR-WDF-01

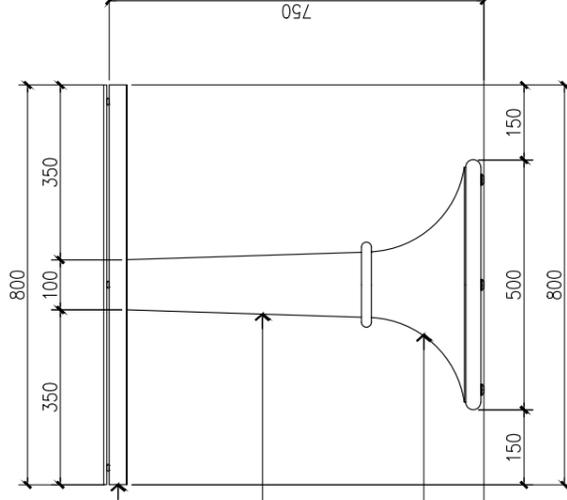


PR-WDF-02



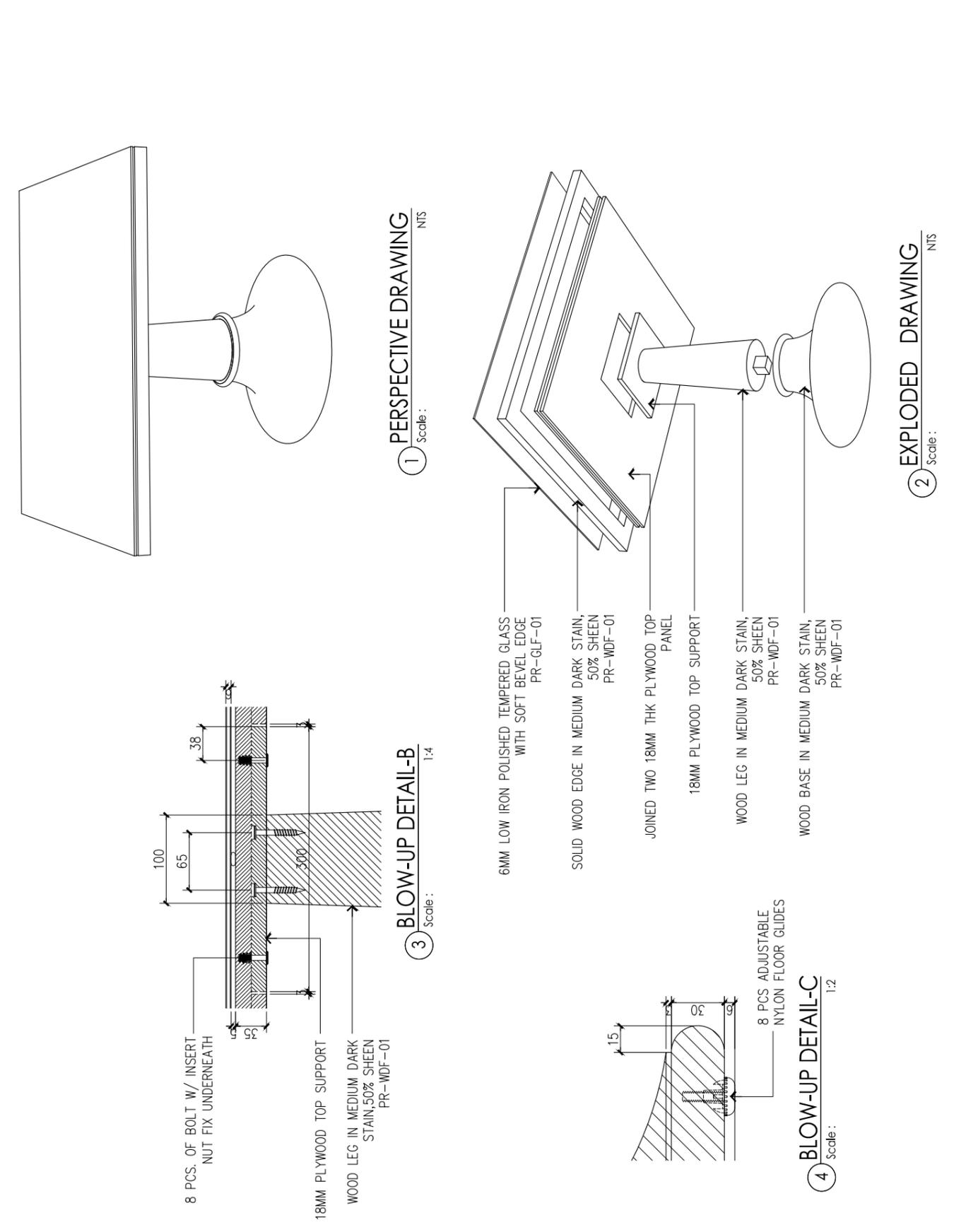
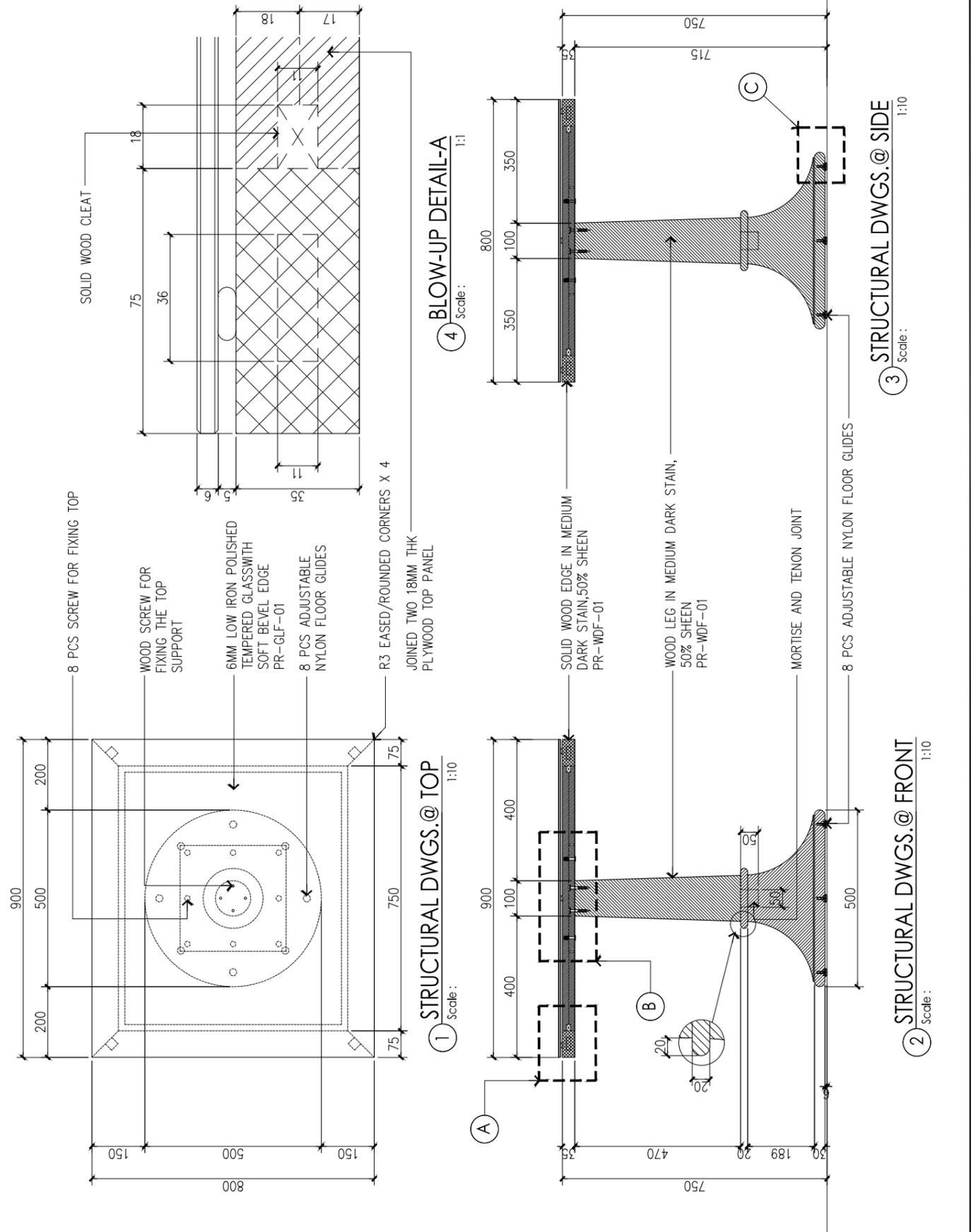
② DESIGN DWGS.@ FRONT
Scale: 1:10

- 6MM LOW IRON POLISHED TEMPERED GLASS WITH SOFT BEVEL EDGE PR-GLF-01
- SOLID WOOD EDGE IN MEDIUM DARK STAIN, 50% SHEEN PR-WDF-01
- WOOD LEG IN MEDIUM DARK STAIN, 50% SHEEN PR-WDF-01
- WOOD BASE IN MEDIUM DARK STAIN, 50% SHEEN PR-WDF-01
- 8 PCS ADJUSTABLE NYLON FLOOR GLIDES



③ DESIGN DWGS.@ SIDE
Scale: 1:10

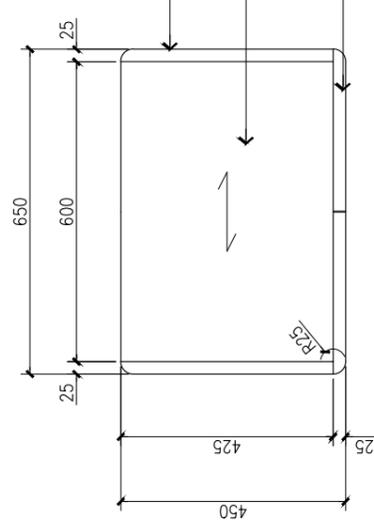
EASTLINK CUSTOM HOSPITALITY FURNITURE	
East Link (Macau) Limited Avenida do Praia Grande, 21st fl., 409 China Low Building, Macau	
PROJECT NAME:	
AREA CODE:	
PROJECT NUMBER:	
ITEM CODE:	
ITEM DESCRIPTION:	
QUANTITY:	
FOR APPROVAL	<input checked="" type="checkbox"/>
FOR MOCK-UP	<input type="checkbox"/>
FOR PRODUCTION	<input type="checkbox"/>
AS BUILT DRAWING	<input type="checkbox"/>
EST. WEIGHT:	
APPROVAL / REMARKS:	
DRAWING REV. NO.	ISSUED DATE:
DRAWN BY:	CHECKED BY:
REV.#	DESCRIPTION
DATE	DATE
SHEET NUMBER:	1/3
DRAWING CODE:	



Shop Drawings & Render

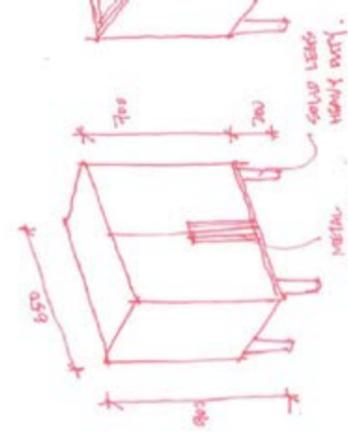


EASTLINK
CUSTOM HOSPITALITY FURNITURE

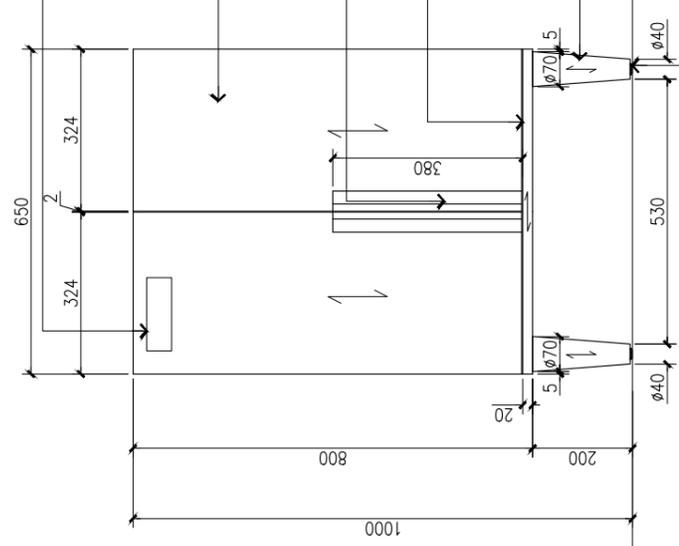


1 DESIGN DRAWINGS @ TOP
Scale: 1:10

- [PR-WDF-02] 25mm THK. PLYWOOD SIDE PANEL
- [PR-WDF-02] 25mm THK. PLYWOOD TOP PANEL
- [PR-WDF-02] 25mm THK. PLYWOOD DOOR PANEL

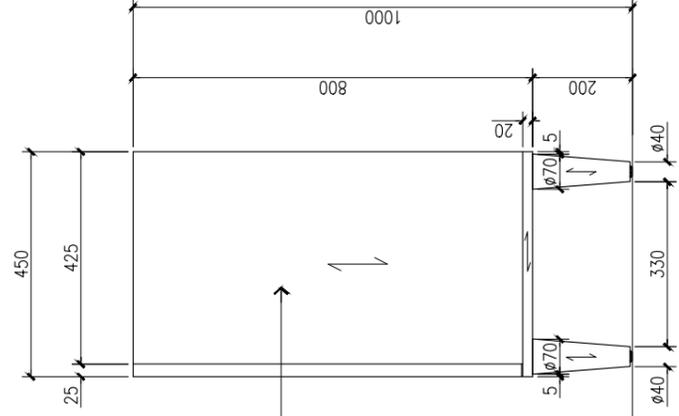


LINE DRAWINGS REFERENCE ONLY



2 DESIGN DRAWINGS @ FRONT
Scale: 1:10

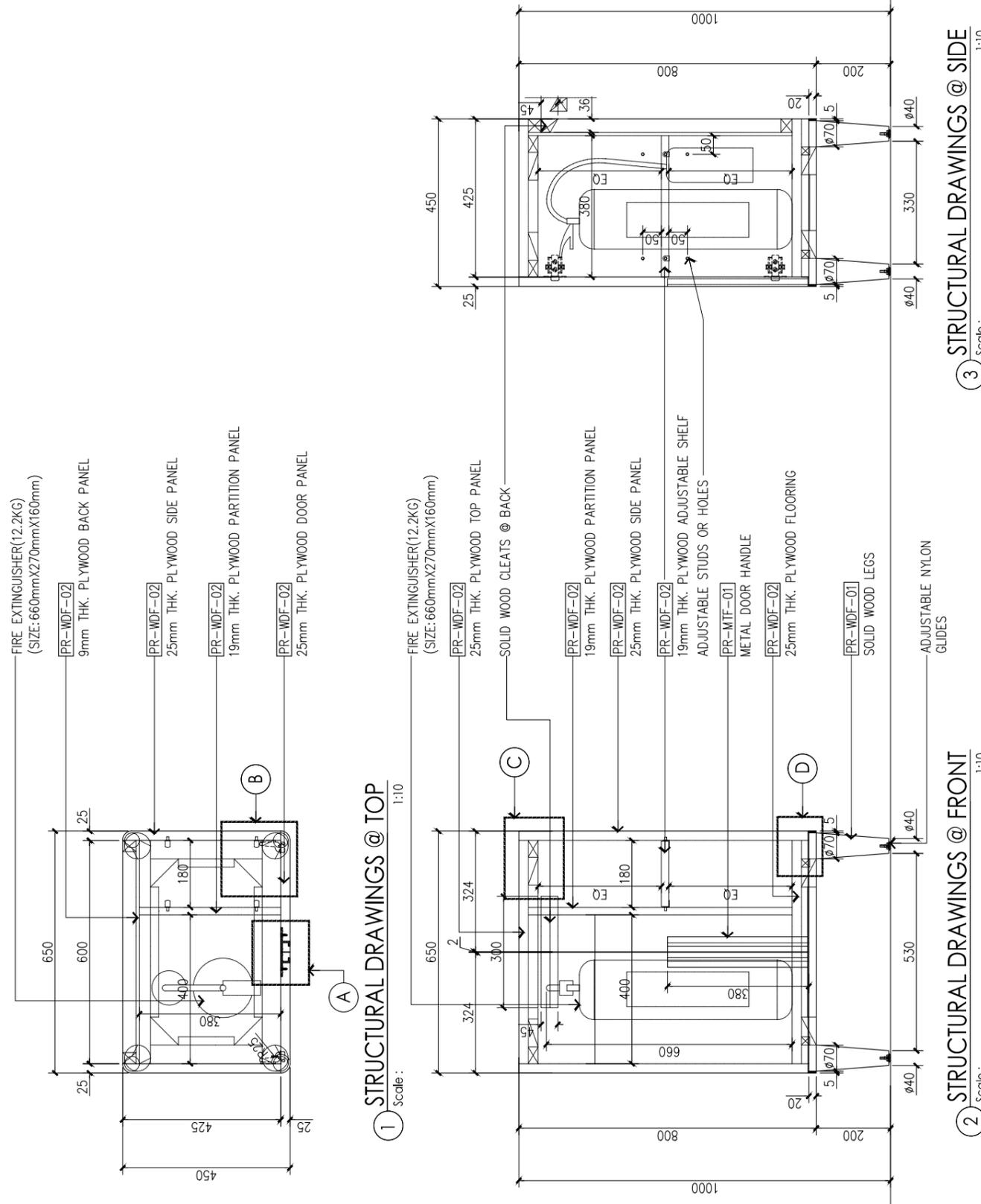
- SIGNAGE(BY OTHERS)
- [PR-WDF-02] 25mm THK. PLYWOOD DOOR PANEL
- [PR-WDF-02] 25mm THK. PLYWOOD SIDE PANEL
- [PR-MTF-01] METAL DOOR HANDLE
- [PR-MTF-01] METAL TRIM
- [PR-WDF-01] SOLID WOOD LEGS
- ADJUSTABLE NYLON GLIDES



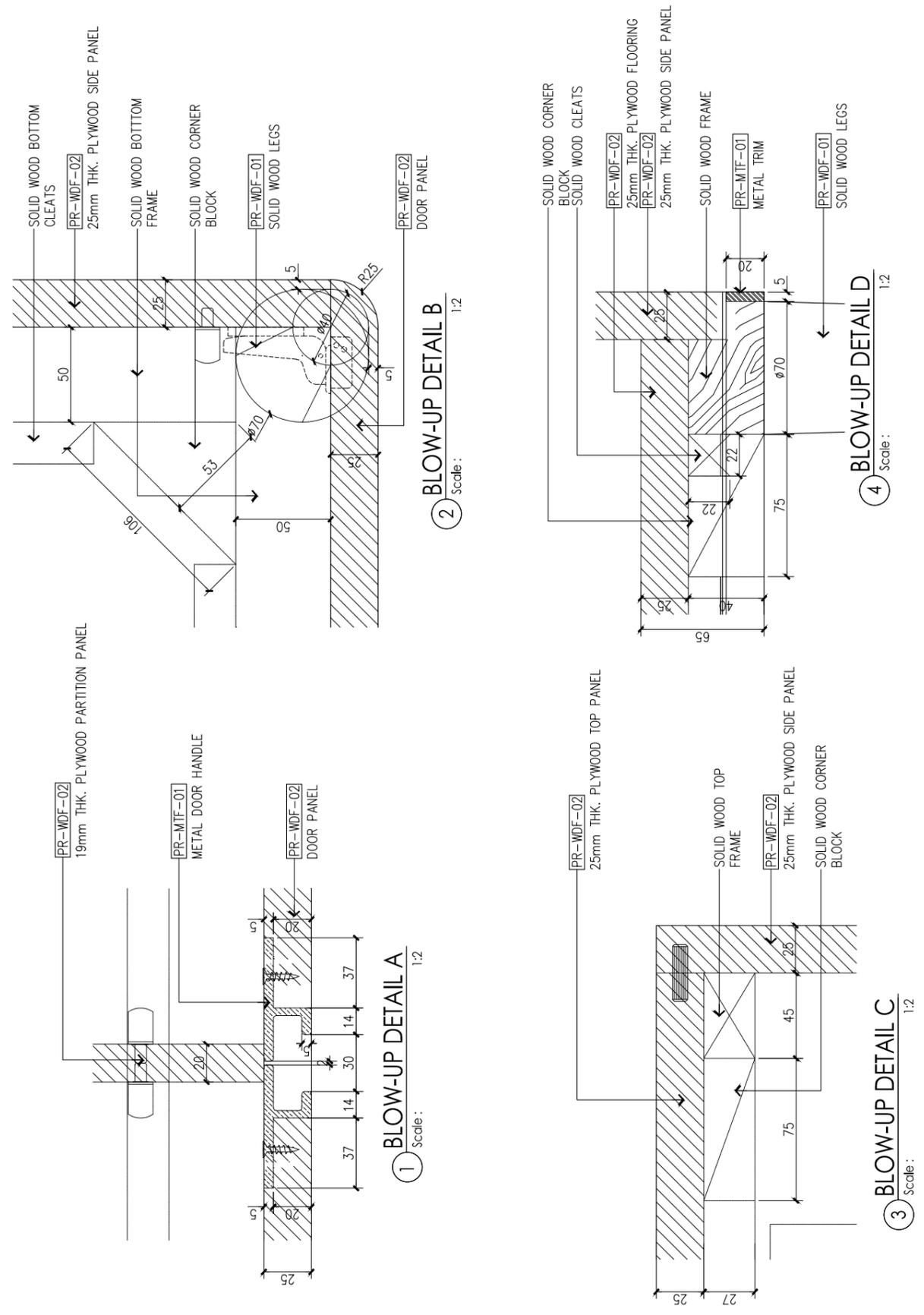
3 DESIGN DRAWINGS @ SIDE
Scale: 1:10

EASTLINK CUSTOM HOSPITALITY FURNITURE		
East Link (Macau) Limited Avenida do Praia Grande, 21st fl., 409 China Law Building, Macau		
PROJECT NAME:		
AREA CODE:		
PROJECT NUMBER:		
ITEM CODE:		
ITEM DESCRIPTION:		
QUANTITY:		
<input type="checkbox"/> FOR APPROVAL		
<input type="checkbox"/> FOR MOCK-UP		
<input type="checkbox"/> FOR PRODUCTION		
<input type="checkbox"/> AS BUILT DRAWING		
EST. WEIGHT:		
APPROVAL / REMARKS:		
DRAWING REV. NO.:	ISSUED DATE:	
DRAWN BY:	CHECKED BY:	
REV #	DESCRIPTION	DATE
1		
2		
3		
SHEET NUMBER:	1/4	
DRAWING CODE:		

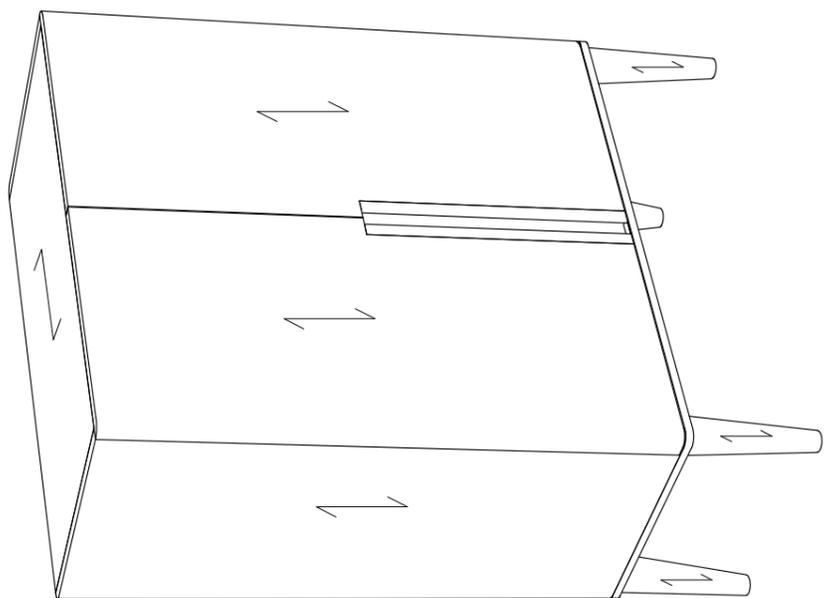
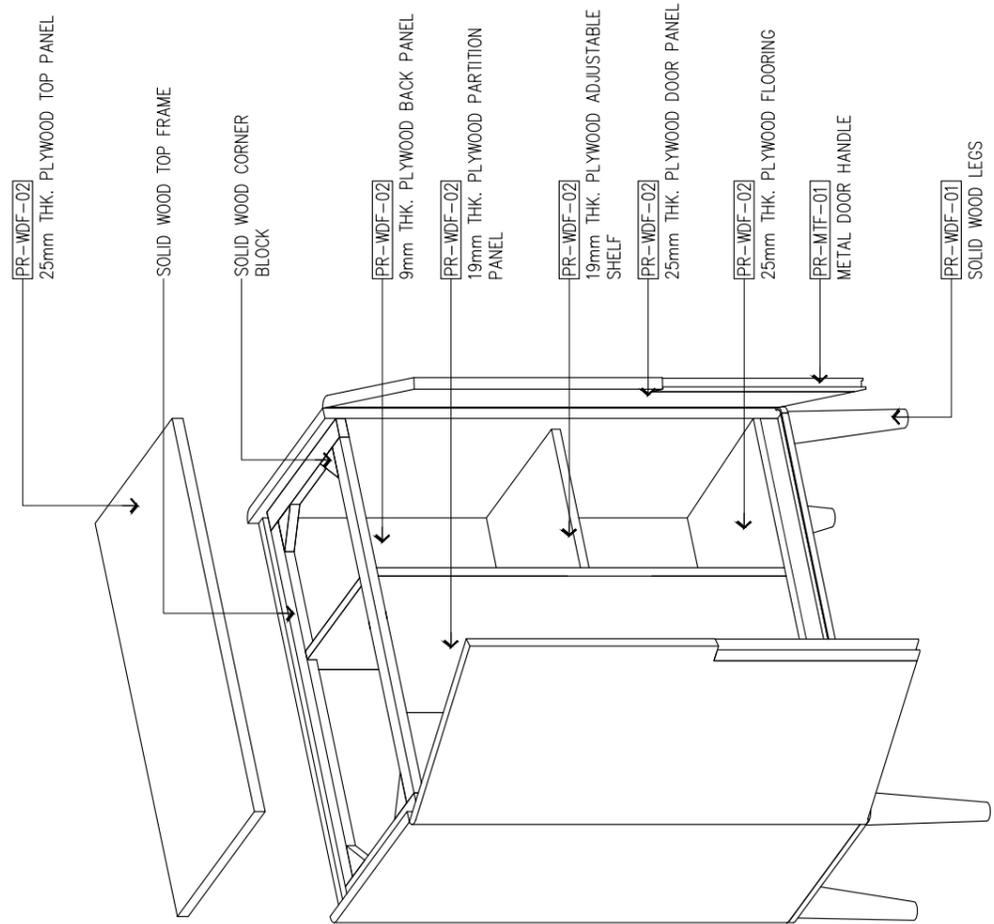
PROJECT NAME:	
AREA CODE:	
PROJECT NUMBER:	
ITEM CODE:	
ITEM DESCRIPTION:	
QUANTITY:	
FOR APPROVAL	<input type="checkbox"/>
FOR MOCK-UP	<input type="checkbox"/>
FOR PRODUCTION	<input type="checkbox"/>
AS BUILT DRAWING	<input type="checkbox"/>
EST. WEIGHT:	
APPROVAL / REMARKS:	
DRAWING REV. NO. ISSUED DATE:	
DRAWN BY: CHECKED BY:	
REV # DESCRIPTION DATE:	
SHEET NUMBER:	2/4
DRAWING CODE:	



PROJECT NAME:	
AREA CODE:	
PROJECT NUMBER:	
ITEM CODE:	
ITEM DESCRIPTION:	
QUANTITY:	
FOR APPROVAL	<input type="checkbox"/>
FOR MOCK-UP	<input type="checkbox"/>
FOR PRODUCTION	<input type="checkbox"/>
AS BUILT DRAWING	<input type="checkbox"/>
EST. WEIGHT:	
APPROVAL / REMARKS:	
DRAWING REV. NO. ISSUED DATE:	
DRAWN BY: CHECKED BY:	
REV # DESCRIPTION DATE:	
SHEET NUMBER:	3/4
DRAWING CODE:	



PROJECT NAME:		
AREA CODE:		
PROJECT NUMBER:		
ITEM CODE:		
ITEM DESCRIPTION:		
QUANTITY:		
FOR APPROVAL	<input type="checkbox"/>	
FOR MOCK-UP	<input type="checkbox"/>	
FOR PRODUCTION	<input type="checkbox"/>	
AS BUILT DRAWING	<input type="checkbox"/>	
EST. WEIGHT:		
APPROVAL / REMARKS:		
DRAWING REV. NO.:	ISSUED DATE:	
DRAWN BY:	REV. BY:	
CHECKED BY:		
REV #	DESCRIPTION	DATE
1		
2		
3		
4		
SHEET NUMBER:	4/4	
DRAWING CODE:		



1 PERSPECTIVE VIEW @ FRONT
Scale: NTS

2 STRUCTURAL EXPLODED VIEW
Scale: NTS



Contact

Tom Hammonds (President)

+66 (0)92 284 4134

tom@eastlinkbkk.com

Kemp Hammonds (Vice President)

+66 (0)81 814 4678 (Thailand)

kemp@eastlinkbkk.com

info@eastlinkfurniture.com

www.eastlinkfurniture.com

Office and factory locations:

CHINA

Macau • Shenzhen

THAILAND

Bangkok • Chiang Mai

PHILIPPINES

Cebu

INDONESIA

Semerang • Surabaya

VIETNAM

Ho Chi Minh

EASTLINK
CUSTOM HOSPITALITY FURNITURE



EASTLINK
CUSTOM HOSPITALITY FURNITURE



EASTLINK
CUSTOM HOSPITALITY FURNITURE

SHOP DRAWINGS & RENDER